

BW Industrial Cable Gland



BW Industrial Cable Gland

BW type brass gland, for indoor use with all kind of Steel Wire Armoured (SWA) cable and Aluminium Wire Armoured (AWA) cable.

- > Provides mechanical cable retention & electrical continuity via armoured wire termination.
- > Permanently crimped, low impedance earth termination.
- > Cable gland complete kit includes: brass gland, locknut, earth tag and PVC shroud. For sizes upto M25 and lower, will contain two kits and for sizes M32 and above will include one kit of each component.

Technical Specification

Threading

Standard

Ingress Protection Rating

Cable Type

Protection Material

Continuous Operating Temp

Accessories

Optional

Metric

BS 6121:2005, EN 62444:2013

IP 2X

SWA and AWA

Brass CuZn39Pb3 (CW614N) to EN12168

- 20° C to + 130° C

Earth Tag, Locknut, PVC Shroud

Available in Brass Nickel Plating on Request

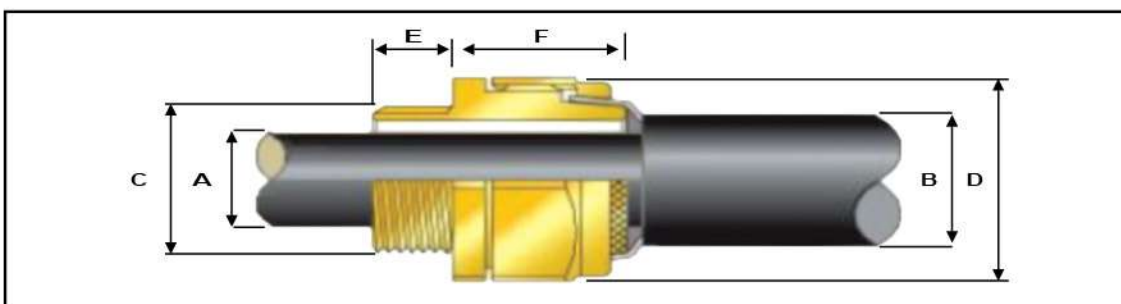
Cable Gland Selection Table

Cable Gland Size	Entry Thread 'C'	Minimum Thread Length 'E'	Cable Bedding Diameter 'A'	Overall Cable Diameter 'B'	Armour Range		Across Flat 'D'	Across Corners 'D'	Nominal Protrusion Length 'F'	Ordering Reference
			Max	Max	Min	Max	Max	Max		
20S	M20	10	11.7	16.1	0.9	1.25	22	24	18	20SBW1BI
20	M20	10	14	21.1	0.9	1.25	28	30	22	20BW1BI
25	M25	10	20	27.4	1.25	1.6	33.6	36	26	25BW1BI
32	M32	10	26.3	34.4	1.6	2	41	44.5	28	32BW1BI
40	M40	10	32.2	42.4	1.6	2	50	56.3	30	40BW1BI
50S	M50	15	38.2	50.1	2	2.5	57.1	63.4	30	50SBW1BI
50	M50	15	44.1	55.7	2	2.5	61	72.1	32	50BW1BI
63S	M63	15	50	62.4	2.5	2.5	75	83	38	63SBW1BI
63	M63	15	56	68.2	2.5	2.5	80	88.7	38	63BW1BI
75S	M75	15	62	76.8	2.5	2.5	90	99.8	40	75SBW1BI
75	M75	15	75	82.9	2.5	3.15	95	105.3	40	75BW1BI

Dimensions are displayed in millimeters unless otherwise stated.

Photographs are not a true representation of the product above.

Disclaimer: The dimensions provided are for guidance only and BICC Components Ltd reserves the right to change these without prior notification. For any critical application please contact the sales office to check the latest data.



BW LSF Industrial Cable Gland



BW LSF Industrial Cable Gland

BW type brass gland, for indoor use with all kind of Steel Wire Armoured (SWA) cable and Aluminium wire Armoured (AWA) cable.

- > Provides mechanical cable retention & electrical continuity via armoured wire termination.
- > Permanently crimped, low impedance earth termination.
- > Cable gland complete kit includes: brass gland, locknut, earth tag and LSF shroud. For sizes upto M25 and lower, will contain two kits and for sizes M32 and above will include one kit of each component.

Technical Specification

Threading

Standard

Ingress Protection Rating

Cable Type

Protection Material

Continuous Operating Temp

Accessories

Optional

Metric

BS 6121:2005, EN 62444:2013

IP 2X

SWA and AWA

Brass CuZn39Pb3 (CW614N) to EN12168

- 20° C to + 130° C

Earth Tag, Locknut, LSF Shroud

Available in Brass Nickel Plating on Request

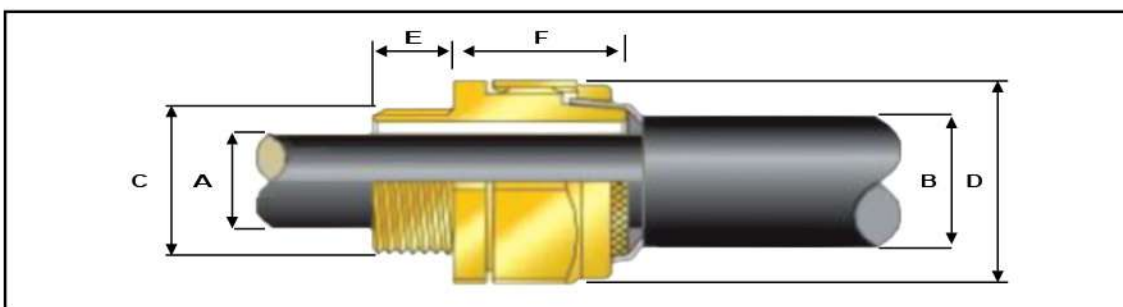
Cable Gland Selection Table

Cable Gland Size	Entry Thread 'C'	Minimum Thread Length 'E'	Cable Bedding Diameter 'A'	Overall Cable Diameter 'B'	Armour Range		Across Flat 'D'	Across Corners 'D'	Nominal Protrusion Length 'F'	Ordering Reference
			Max	Max	Min	Max	Max	Max		
20S	M20	10	11.7	16.1	0.9	1.25	22	24	18	20SBW1LSBI
20	M20	10	14	21.1	0.9	1.25	28	30	22	20BW1LSBI
25	M25	10	20	27.4	1.25	1.6	33.6	36	26	25BW1LSBI
32	M32	10	26.3	34.4	1.6	2	41	44.5	28	32BW1LSBI
40	M40	10	32.2	42.4	1.6	2	50	56.3	30	40BW1LSBI
50S	M50	15	38.2	50.1	2	2.5	57.1	63.4	30	50SBW1LSBI
50	M50	15	44.1	55.7	2	2.5	61	72.1	32	50BW1LSBI
63S	M63	15	50	62.4	2.5	2.5	75	83	38	63SBW1LSBI
63	M63	15	56	68.2	2.5	2.5	80	88.7	38	63BW1LSBI
75S	M75	15	62	76.8	2.5	2.5	90	99.8	40	75SBW1LSBI
75	M75	15	75	82.9	2.5	3.15	95	105.3	40	75BW1LSBI

Dimensions are displayed in millimeters unless otherwise stated.

Photographs are not a true representation of the product above.

Disclaimer: The dimensions provided are for guidance only and BICC Components Ltd reserves the right to change these without prior notification. For any critical application please contact the sales office to check the latest data.



CW Single Compression Industrial Cable Gland



CW Single Compression Industrial Cable Gland

CW type brass cable gland for use with Steel Wire Armoured Cable (SWA).

- > Single compression gland, providing mechanical cable retention and electrical continuity via armoured wire termination. Environmental seal on the outer sheath to IP 66.
- > Controlled outer load retention seal.
- > Cable gland complete kit includes: brass gland, locknut, earth tag and PVC shroud. For sizes upto M25 and lower, will contain two kits and for sizes M32 and above will include one kit of each component.

Technical Specification

Threading

Standard

Ingress Protection Rating

Cable Type

Protection Material

Continuous Operating Temp

Accessories

Optional

Metric

BS 6121:2005, EN 62444:2013

IP66

Steel Wire Armor (SWA)

Brass CuZn39Pb3 (CW614N) to EN12168

- 20° C to + 130° C

Earth Tag, Locknut, Entry Thread Seal, PVC Shroud

Available in Brass Nickel Plating on Request

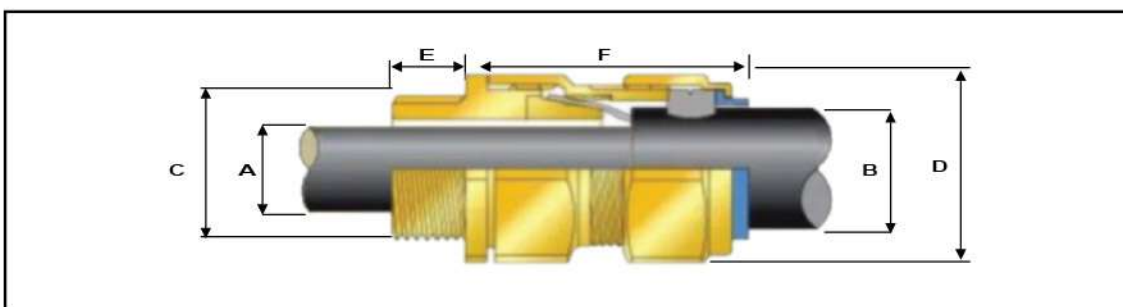
Cable Gland Selection Table

Cable Gland Size	Entry Thread 'C'	Minimum Thread Length 'E'	Cable Bedding Diameter 'A'	Overall Cable Diameter 'B'		Armour Range		Across Flat 'D'	Across Corners 'D'	Nominal Protrusion Length 'F'	Ordering Reference
				Max	Min	Max	Min				
20S/16	M20	10	88.7	6.1	11.5	0.9	1	24	26.6	43	20S16CW1BI
20S	M20	10	11.7	9.5	15.9	0.9	1.25	24	26	43	20SCW1BI
20	M20	10	14	12.5	20.9	0.9	1.25	30.5	33.3	50	20CW1BI
25	M25	10	20	18.2	26.2	1.25	1.6	36	40	55	25CW1BI
32	M32	10	26.3	23.7	33.9	1.6	2	46	51	55	32CW1BI
40	M40	10	32.2	27.9	40.4	1.6	2	55	61	55	40CW1BI
50S	M50	15	38.2	35.2	46.7	2	2.5	60	66.5	56	50SCW1BI
50	M50	15	44.1	40.4	53.1	2	2.5	70.1	78.6	70	50CW1BI
63S	M63	15	50	45.6	59.4	2	2.5	75	83.2	70	63SCW1BI
63	M63	15	56	54.6	65.9	2	2.5	80	89	80	63CW1BI
75S	M75	15	62	59	72.1	2	2.5	90	101.6	81	75SCW1BI
75	M75	15	68	66.7	78.5	2	2.5	100	111.1	96	75CW1BI

Dimensions are displayed in millimeters unless otherwise stated.

Photographs are not a true representation of the product above.

Disclaimer: The dimensions provided are for guidance only and BICC Components Ltd reserves the right to change these without prior notification. For any critical application please contact the sales office to check the latest data.



CW Single Compression LSF Industrial Cable Gland



CW Single Compression LSF Industrial Cable Gland

CW type brass cable gland for use with Steel Wire Armoured cable (SWA).

- > Single compression gland, providing mechanical cable retention and electrical continuity via armoured wire termination. Environmental seal on the outer sheath to IP 66.
- > Controlled outer load retention seal.
- > Cable gland complete kit includes: brass gland, locknut, earth tag and LSF shroud. For sizes upto M25 and lower, will contain two kits and for sizes M32 and above will include one kit of each component.

Technical Specification

Threading

Standard

Ingress Protection Rating

Cable Type

Protection Material

Continuous Operating Temp

Accessories

Optional

Metric

BS 6121:2005, EN 62444:2013

IP66

Steel Wire Armor (SWA)

Brass CuZn39Pb3 (CW614N) to EN12168

- 20° C to + 130° C

Earth Tag, Locknut, Entry Thread Seal, LSF Shroud

Available in Brass Nickel Plating on Request

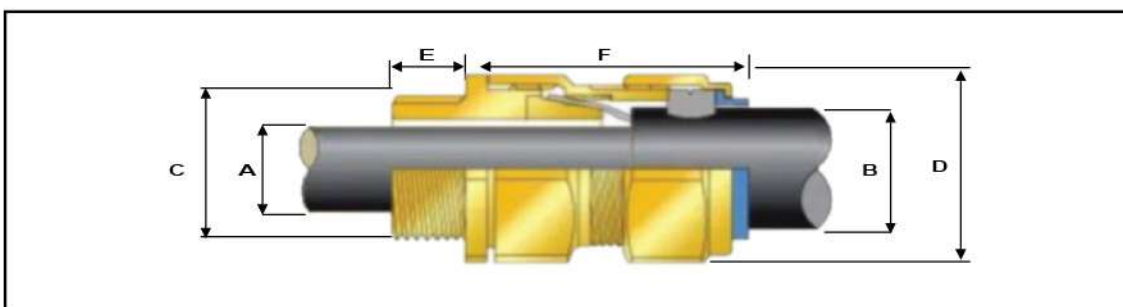
Cable Gland Selection Table

Cable Gland Size	Entry Thread 'C'	Minimum Thread Length 'E'	Cable Bedding Diameter 'A'	Overall Cable Diameter 'B'		Armour Range		Across Flat 'D'	Across Corners 'D'	Nominal Protrusion Length 'F'	Ordering Reference
				Max	Min	Max	Min				
20S/16	M20	10	8.7	6.1	11.5	0.9	1	24	26.6	43	20S16CW1LSBI
20S	M20	10	11.7	9.5	15.9	0.9	1.25	24	26	43	20SCW1LSBI
20	M20	10	14	12.5	20.9	0.9	1.25	30.5	33.3	50	20CW1LSBI
25	M25	10	20	18.2	26.2	1.25	1.6	36	40	55	25CW1LSBI
32	M32	10	26.3	23.7	33.9	1.6	2	46	51	55	32CW1LSBI
40	M40	10	32.2	27.9	40.4	1.6	2	55	61	55	40CW1LSBI
50S	M50	15	38.2	35.2	46.7	2	2.5	60	66.5	56	50SCW1LSBI
50	M50	15	44.1	40.4	53.1	2	2.5	70.1	78.6	70	50CW1LSBI
63S	M63	15	50	45.6	59.4	2	2.5	75	83.2	70	63SCW1LSBI
63	M63	15	56	54.6	65.9	2	2.5	80	89	80	63CW1LSBI
75S	M75	15	62	59	72.1	2	2.5	90	101.6	81	75SCW1LSBI
75	M75	15	68	66.7	78.5	2	2.5	100	111.1	96	75CW1LSBI

Dimensions are displayed in millimeters unless otherwise stated.

Photographs are not a true representation of the product above.

Disclaimer: The dimensions provided are for guidance only and BICC Components Ltd reserves the right to change these without prior notification. For any critical application please contact the sales office to check the latest data.



A2 Single Compression Industrial Gland



A2 Single Compression Industrial Gland

A2 type brass cable gland for use with all types of unarmoured cable.

- > Single compression gland, providing mechanical cable retention and an environmental seal on outer sheath to IP-66, 67 and 68.
- > Displacement type seal.
- > Cable gland complete kit includes: brass gland, locknut, earth tag and PVC shroud. For sizes upto M25 and lower, will contain two kits and for sizes M32 and above will include one kit of each component.

Technical Specification

Threading

Standard

Ingress Protection Rating

Cable Type

Protection Material

Continuous Operating Temp

Accessories

Optional

Metric

BS 6121:2005, EN 62444:2013

IP66, 67 and 68

Unarmoured

Brass CuZn39Pb3 (CW614N) to EN12168

- 20° C to + 130° C

Locknut, Entry Thread Seal, PVC Shroud

Available in Brass Nickel Plating on Request

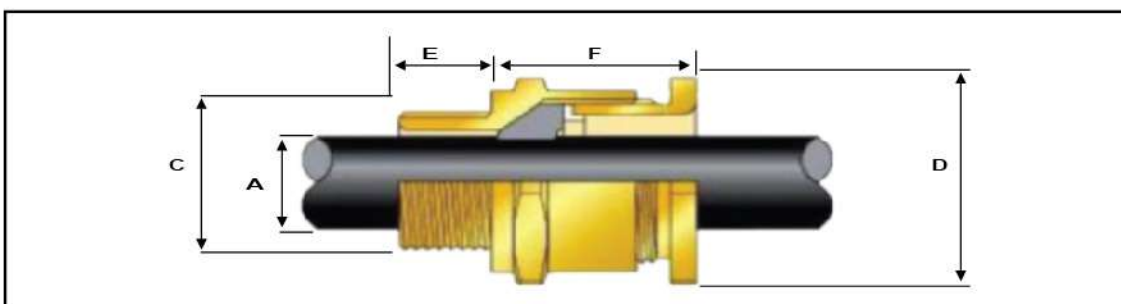
Cable Gland Selection Table

Cable Gland Size	Entry Thread 'C'		Option	Minimum Thread Length 'E'	Cable Bedding Diameter 'A'		Across Flat 'D'	Across Corners 'D'	Nominal Protrusion Length 'F'	Ordering Reference
	Metric	NPT			Min	Max				
20S/16	M20	1/2"	3/4"	10	3.1	8.7	24	26.6	21	20S16A21BI
20S	M20	1/2"	3/4"	10	6.1	11.7	24	26.6	21	20SA21BI
20	M20	1/2"	3/4"	10	6.5	14	27	30	24	20A21BI
25	M25	3/4"	1"	10	11.1	20	36	39.9	26	25A21BI
32	M32	1"	1 1/4"	10	17	26.3	41	45.5	27	32A21BI
40	M40	1 1/4"	1 1/2"	10	23.5	32.2	50	55.4	28	40A21BI
50S	M50	1 1/2"	2"	15	31	38.2	55	61	29	50SA21BI
50	M50	2"	2 1/2"	15	35.6	44.1	60	66.5	30	50A21BI
63S	M63	2"	2 1/2"	15	41.5	50	70	77.6	30	63SA21BI
63	M63	2 1/2"	3"	15	47.2	56	75	83.2	30	63A21BI
75S	M75	2 1/2"	3"	15	54	62	80	88.7	32	75SA21BI
75	M75	3"	3 1/2"	15	61.1	68	85	94.2	32	75A21BI

Dimensions are displayed in millimeters unless otherwise stated.

Photographs are not a true representation of the product above.

Disclaimer: The dimensions provided are for guidance only and BICC Components Ltd reserves the right to change these without prior notification. For any critical application please contact the sales office to check the latest data.



A2 Single Compression LSF Industrial Cable Gland



A2 Single Compression LSF Industrial Cable Gland

A2 type brass cable gland for use with all types of unarmoured cable.

- > Single compression gland, providing mechanical cable retention and an environmental seal on outer sheath to IP-66, 67 and 68.
- > Displacement type seal.
- > Cable gland complete kit includes: brass gland, locknut, earth tag and LSF shroud. For sizes upto M25 and lower, will contain two kits and for sizes M32 and above will include one kit of each component.

Technical Specification

Threading

Standard

Ingress Protection Rating

Cable Type

Protection Material

Continuous Operating Temp

Accessories

Optional

Metric

BS 6121:2005, EN 62444:2013

IP66, 67 and 68

Unarmoured

Brass CuZn39Pb3 (CW614N) to EN12168

- 20° C to + 130° C

Locknut, Entry Thread Seal, LSF Shroud

Available in Brass Nickel Plating on Request

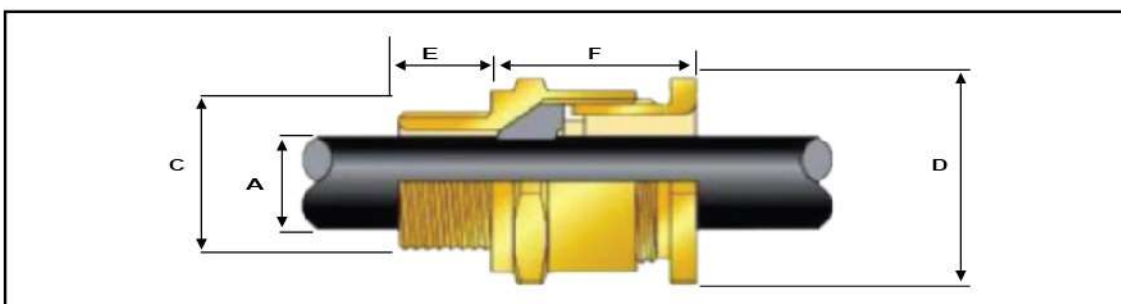
Cable Gland Selection Table

Cable Gland Size	Entry Thread 'C'		Option	Minimum Thread Length 'E'	Cable Bedding Diameter 'A'		Across Flat 'D'	Across Corners 'D'	Nominal Protrusion Length 'F'	Ordering Reference
	Metric	NPT			Min	Max				
20S/16	M20	1/2"	3/4"	10	3.1	8.7	24	26.6	21	20S16A21LSBI
20S	M20	1/2"	3/4"	10	6.1	11.7	24	26.6	21	20SA21LSBI
20	M20	1/2"	3/4"	10	6.5	14	27	30	24	20A21LSBI
25	M25	3/4"	1"	10	11.1	20	36	39.9	26	25A21LSBI
32	M32	1"	1 1/4"	10	17	26.3	41	45.5	27	32A21LSBI
40	M40	1 1/4"	1 1/2"	10	23.5	32.2	50	55.4	28	40A21LSBI
50S	M50	1 1/2"	2"	15	31	38.2	55	61	29	50SA21LSBI
50	M50	2"	2 1/2"	15	35.6	44.1	60	66.5	30	50A21LSBI
63S	M63	2"	2 1/2"	15	41.5	50	70	77.6	30	63SA21LSBI
63	M63	2 1/2"	3"	15	47.2	56	75	83.2	30	63A21LSBI
75S	M75	2 1/2"	3"	15	54	62	80	88.7	32	75SA21LSBI
75	M75	3"	3 1/2"	15	61.1	68	85	94.2	32	75A21LSBI

Dimensions are displayed in millimeters unless otherwise stated.

Photographs are not a true representation of the product above.

Disclaimer: The dimensions provided are for guidance only and BICC Components Ltd reserves the right to change these without prior notification. For any critical application please contact the sales office to check the latest data.



E1W Double Compression Industrial Cable Gland



E1W Double Compression Industrial Cable Gland

E1W type brass cable gland for use with all types of armoured cables.

- > Double compression gland, providing mechanical cable retention and electric continuity via armoured wire termination. Environmental seal on the outer sheath to IP 66. Inner seal provides grip to inner layer of cable.
- > Secure against self loosening.
- > Cable gland complete kit includes: brass gland, locknut, earth tag and PVC shroud. For sizes upto M25 and lower, will contain two kits and for sizes M32 and above will include one kit of each component.

Technical Specification

Threading

Standard

Ingress Protection Rating

Cable Type

Protection Material

Continuous Operating Temp

Accessories

Optional

Metric

BS 6121:2005, EN 62444:2013

IP66

All types of armoured cables

Brass CuZn39Pb3 (CW614N) to EN12168

- 20° C to + 130° C

Earth Tag, Locknut, Entry Thread Seal, PVC Shroud

Available in Brass Nickel Plating on Request

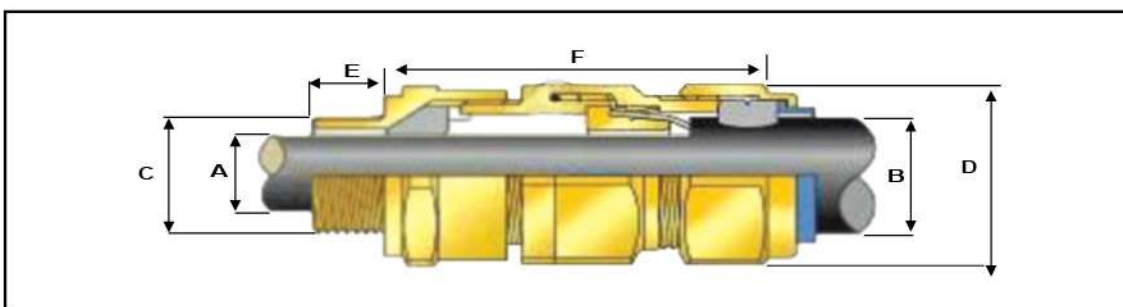
Cable Gland Selection Table

Cable Gland Size	Entry Thread 'C'		Option	Minimum Thread Length 'E'	Cable Bedding Diameter 'A'		Overall Cable Diameter 'B'		Armour Range		Across Flat 'D'	Across Corners 'D'	Nominal Protrusion Length 'F'	Ordering Reference
	Metric	NPT			Min	Max	Min	Max	Min	Max	Max	Max		
20S/16	M20	1/2"	3/4"	10	3.1	8.7	6.1	11.5	0.9	1	24	26.6	63	20S16E1W1BI
20S	M20	1/2"	3/4"	10	6.1	11.7	9.5	15.9	0.9	1.25	24	26	63	20SE1W1BI
20	M20	1/2"	3/4"	10	6.5	14	12.5	20.9	0.9	1.25	30.5	33.3	67	20E1W1BI
25	M25	3/4"	1"	10	11.1	20	18.2	26.2	1.25	1.6	37.5	40.5	78	25E1W1BI
32	M32	1"	1 1/4"	15	17	26.3	23.7	33.9	1.6	2	46	51	78	32E1W1BI
40	M40	1 1/4"	1 1/2"	10	22	32.2	27.9	40.4	1.6	2	55	61	83	40E1W1BI
50S	M50	1 1/2"	2"	15	29.5	38.2	35.2	46.7	2	2.5	60	66.5	78	50SE1W1BI
50	M50	2"	2 1/2"	15	35.6	44.1	40.4	53.1	2	2.5	70.1	78.6	81	50E1W1BI
63S	M63	2"	2 1/2"	15	40.1	50	45.6	59.4	2	2.5	75	83.2	93	63SE1W1BI
63	M63	2 1/2"	3"	15	47.2	56	54.6	65.9	2	2.5	80	89	95	63E1W1BI
75S	M75	2 1/2"	3"	15	52.8	62	59	72.1	2	2.5	89	101.6	103	75SE1W1BI
75	M75	3"	3 1/2"	15	59.1	68	66.7	78.5	2	2.5	99	111.1	110	75E1W1BI

Dimensions are displayed in millimeters unless otherwise stated.

Photographs are not a true representation of the product above.

Disclaimer: The dimensions provided are for guidance only and BICC Components Ltd reserves the right to change these without prior notification. For any critical application please contact the sales office to check the latest data.



E1W Double Compression LSF Industrial Cable Gland



E1W Double Compression LSF Industrial Cable Gland

E1W type brass cable gland for use with all types of armoured cables.

- > Double compression gland, providing mechanical cable retention and electric continuity via armoured wire termination. Environmental seal on the outer sheath to IP 66. Inner seal provides grip to inner layer of cable.
- > Secure against self loosening.
- > Cable gland complete kit includes: brass gland, locknut, earth tag and LSF shroud. For sizes upto M25 and lower, will contain two kits and for sizes M32 and above will include one kit of each component.

Technical Specification

Threading

Standard

Ingress Protection Rating

Cable Type

Protection Material

Continuous Operating Temp

Accessories

Optional

Metric

BS 6121:2005, EN 62444:2013

IP66

All types of armoured cables

Brass CuZn39Pb3 (CW614N) to EN12168

- 20° C to + 130° C

Earth Tag, Locknut, Entry Thread Seal, LSF Shroud

Available in Brass Nickel Plating on Request

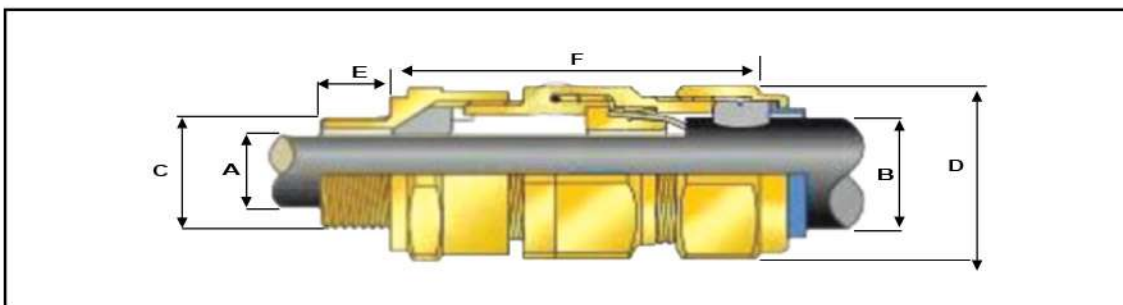
Cable Gland Selection Table

Cable Gland Size	Entry Thread 'C'		Option	Minimum Thread Length 'E'	Cable Bedding Diameter 'A'		Overall Cable Diameter 'B'		Armour Range		Across Flat 'D'	Across Corners 'D'	Nominal Protrusion Length 'F'	Ordering Reference
	Metric	NPT	NPT		Min	Max	Min	Max	Min	Max	Max	Max		
20S/16	M20	1/2"	3/4"	10	3.1	8.7	6.1	11.5	0.9	1	24	26.6	63	20S16E1W1LSBI
20S	M20	1/2"	3/4"	10	6.1	11.7	9.5	15.9	0.9	1.25	24	26	63	20SE1W1LSBI
20	M20	1/2"	3/4"	10	6.5	14	12.5	20.9	0.9	1.25	30.5	33.3	67	20E1W1LSBI
25	M25	3/4"	1"	10	11.1	20	18.2	26.2	1.25	1.6	37.5	40.5	78	25E1W1LSBI
32	M32	1"	1 1/4"	15	17	26.3	23.7	33.9	1.6	2	46	51	78	32E1W1LSBI
40	M40	1 1/4"	1 1/2"	10	22	32.2	27.9	40.4	1.6	2	55	61	83	40E1W1LSBI
50S	M50	1 1/2"	2"	15	29.5	38.2	35.2	46.7	2	2.5	60	66.5	78	50SE1W1LSBI
50	M50	2"	2 1/2"	15	35.6	44.1	40.4	53.1	2	2.5	70.1	78.6	81	50E1W1LSBI
63S	M63	2"	2 1/2"	15	40.1	50	45.6	59.4	2	2.5	75	83.2	93	63SE1W1LSBI
63	M63	2 1/2"	3"	15	47.2	56	54.6	65.9	2	2.5	80	89	95	63E1W1LSBI
75S	M75	2 1/2"	3"	15	52.8	62	59	72.1	2	2.5	89	101.6	103	75SE1W1LSBI
75	M75	3"	3 1/2"	15	59.1	68	66.7	78.5	2	2.5	99	111.1	110	75E1W1LSBI

Dimensions are displayed in millimeters unless otherwise stated.

Photographs are not a true representation of the product above.

Disclaimer: The dimensions provided are for guidance only and BICC Components Ltd reserves the right to change these without prior notification. For any critical application please contact the sales office to check the latest data.



CW Single Compression Aluminium Industrial Cable Gland



CW Single Compression Aluminium Industrial Cable Gland

CW type Aluminium cable gland for use with Aluminium Wire Armoured Cable (AWA).

- > Single compression gland providing mechanical cable retention and electrical continuity via armoured wire termination. Environmental seal on the outer sheath to IP 66.
- > Controlled outer load retention seal.
- > Environmental friendly, aluminium alloy used for extra strength & performance. Cable gland kit includes: aluminium gland, locknut, earth tag and PVC shroud.

Technical Specification

Threading	Metric
Standard	BS 6121:2005, EN 62444:2013
Ingress Protection Rating	IP66
Cable Type	Aluminium Wire Armoured (AWA)
Protection Material	6082 Extruded Aluminium Alloy
Continuous Operating Temp	-20° C to +130° C
Accessories	Earth Tag, Locknut, Entry Thread Seal, Shroud
Optional	LSF shroud available on request

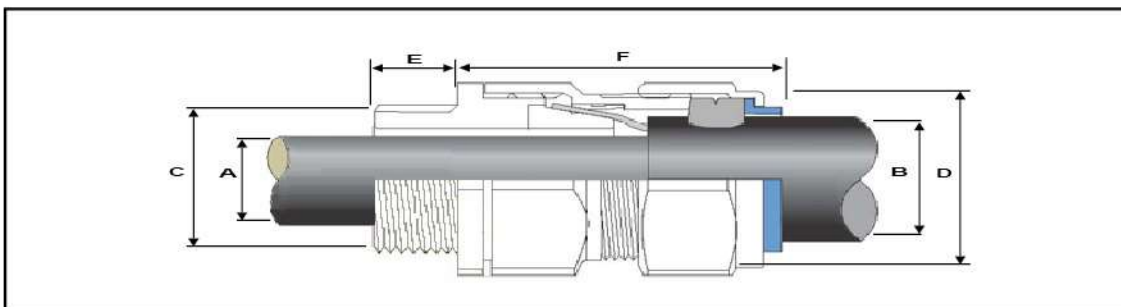
Cable Gland Selection Table

Cable Gland Size	Entry Thread 'C' Metric	Minimum Thread Length 'E'	Cable Bedding Diameter 'A'	Overall Cable Diameter 'B'		Armour Range		Across Flat 'D'	Across Corners 'D'	Nominal Protrusion Length 'F'	Ordering Reference
				Max	Min	Max	Min				
50S	M50	15	38.2	35.2	46.7	2	2.5	60	66.5	56	AL50SCW1BI
50	M50	15	44.1	40.4	53.1	2	2.5	70.1	78.6	70	AL50CW1BI

Dimensions are displayed in millimeters unless otherwise stated.

Photographs are not a true representation of the product above.

Disclaimer: The dimensions provided are for guidance only and BICC Components Ltd reserves the right to change these without prior notification. For any critical application please contact the sales office to check the latest data.



Copper Terminal – Bell Mouth Type (BM)



Copper Terminal – Bell Mouth Type (BM)

- > **Bell Mouth Entry:**
Our bell mouth range allows cable insertion to be handled efficiently for the opening of the conductor.
- > **Inspection Hole:**
The unique design of the inspection hole, helps the conductor to insert fully. The stopper at the end of the insertion allows the conductor to place itself rightly inside the surface area of the crimp.
- > **Application:**
Suitable for low & medium voltage switch gear & control panel.

Technical Specification

Standard

IEC 61238-1

Material

Manufactured from seamless copper tube conforming to BS EN 12449:2012

Finish

Electro tin-plated conforming to BS EN 1872:1984

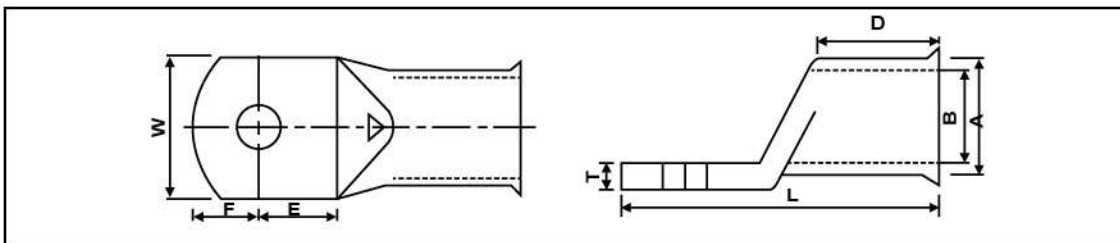
Terminal Selection Chart

Cond. Size	Barrel O.D. 'A'	Barrel I.D. 'B'	Stud Hole Center 'E'	Stud Hole Center To End of Palm 'F'	Palm Width 'W'	Barrel Length 'D'	Total Length 'L'	Thickness 'T'	Part No.
1.5	3.80	1.90	4.50	4.50	7.00	7.00	18.00	1.90	BCT-BM-1.5-3
1.5	3.80	1.90	7.50	4.50	7.00	7.00	21.00	1.90	BCT-BM-1.5-4
1.5	3.80	1.90	7.50	4.50	8.00	7.00	21.00	1.90	BCT-BM-1.5-5
1.5	3.80	1.90	7.50	4.50	9.00	7.00	22.00	1.90	BCT-BM-1.5-6
2.5	3.90	2.40	4.00	4.50	7.00	8.00	18.50	1.50	BCT-BM-2.5-3
2.5	3.90	2.40	7.50	4.50	7.00	8.00	22.00	1.50	BCT-BM-2.5-4
2.5	3.90	2.40	7.50	4.50	9.00	8.00	22.00	1.50	BCT-BM-2.5-5
2.5	3.90	2.40	7.50	5.50	9.50	8.00	23.00	1.50	BCT-BM-2.5-6
2.5	3.90	2.40	7.50	7.50	12.00	8.00	25.00	1.50	BCT-BM-2.5-8
4	4.70	2.80	4.50	4.50	7.00	8.00	19.00	1.90	BCT-BM-4-3
4	4.70	2.80	7.50	4.50	7.00	8.00	22.00	1.90	BCT-BM-4-4
4	4.70	2.80	7.50	4.50	8.50	8.00	22.00	1.90	BCT-BM-4-5
4	4.70	2.80	7.50	5.50	10.00	8.00	23.00	1.90	BCT-BM-4-6
4	4.70	2.80	10.50	6.50	13.00	8.00	27.00	1.90	BCT-BM-4-8
4	4.70	2.80	11.50	7.50	14.00	11.00	32.00	1.90	BCT-BM-4-10
6	5.30	3.40	7.50	4.50	7.50	8.50	23.50	1.90	BCT-BM-6-4

Dimensions are displayed in millimeters unless otherwise stated.

Photographs are not a true representation of the product above.

Disclaimer: The dimensions provided are for guidance only and BICC Components Ltd reserves the right to change these without prior notification. For any critical application please contact the sales office to check the latest data.



Copper Terminal - Straight Entry Type (SE)



Copper Terminal - Straight Entry Type (SE)

- > **Straight Entry:**
Our straight entry range allows cable insertion to be handled efficiently for the opening of the conductor.
- > **Inspection Hole:**
The unique design of the inspection hole, helps the conductor to insert fully. The stopper at the end of the insertion allows the conductor to place itself rightly inside the surface area of the crimp.
- > **Application:**
Suitable for low & medium voltage switch gear & control panel.

Technical Specification

Standard

IEC 61238-1

Material

Manufactured from seamless copper tube conforming to BS EN 12449:2012

Finish

Electro tin-plated conforming to BS EN 1872:1984

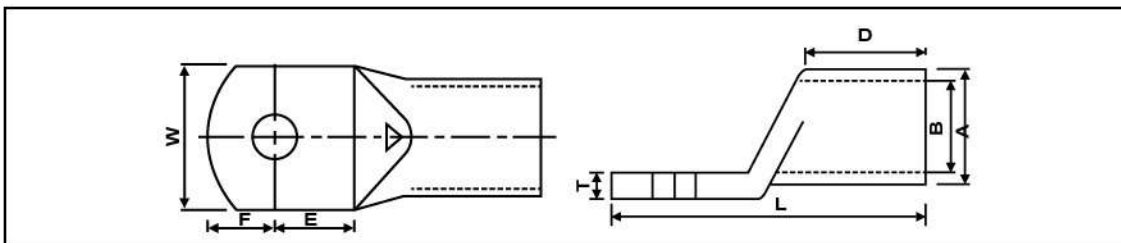
Terminal Selection Chart

Cond. Size	Barrel O.D. 'A'	Barrel I.D. 'B'	Stud Hole Center 'E'	Stud Hole Center To End of Palm 'F'	Palm Width 'W'	Barrel Length 'D'	Total Length 'L'	Thickness 'T'	Part No.
1.5	3.80	1.90	4.50	4.50	7.00	7.00	18.00	1.90	BCT-SE-1.5-3
1.5	3.80	1.90	7.50	4.50	7.00	7.00	21.00	1.90	BCT-SE-1.5-4
1.5	3.80	1.90	7.50	4.50	8.00	7.00	21.00	1.90	BCT-SE-1.5-5
1.5	3.80	1.90	7.50	4.50	9.00	7.00	22.00	1.90	BCT-SE-1.5-6
2.5	3.90	2.40	4.00	4.50	7.00	8.00	18.50	1.50	BCT-SE-2.5-3
2.5	3.90	2.40	7.50	4.50	7.00	8.00	22.00	1.50	BCT-SE-2.5-4
2.5	3.90	2.40	7.50	4.50	9.00	8.00	22.00	1.50	BCT-SE-2.5-5
2.5	3.90	2.40	7.50	5.50	9.50	8.00	23.00	1.50	BCT-SE-2.5-6
2.5	3.90	2.40	7.50	7.50	12.00	8.00	25.00	1.50	BCT-SE-2.5-8
4	4.70	2.80	4.50	4.50	7.00	8.00	19.00	1.90	BCT-SE-4-3
4	4.70	2.80	7.50	4.50	7.00	8.00	22.00	1.90	BCT-SE-4-4
4	4.70	2.80	7.50	4.50	8.50	8.00	22.00	1.90	BCT-SE-4-5
4	4.70	2.80	7.50	5.50	10.00	8.00	23.00	1.90	BCT-SE-4-6
4	4.70	2.80	10.50	6.50	13.00	8.00	27.00	1.90	BCT-SE-4-8
4	4.70	2.80	11.50	7.50	14.00	11.00	32.00	1.90	BCT-SE-4-10
6	5.30	3.40	7.50	4.50	7.50	8.50	23.50	1.90	BCT-SE-6-4

Dimensions are displayed in millimeters unless otherwise stated.

Photographs are not a true representation of the product above.

Disclaimer: The dimensions provided are for guidance only and BICC Components Ltd reserves the right to change these without prior notification. For any critical application please contact the sales office to check the latest data.



Terminal Selection Chart									
Cond. Size	Barrel O.D.	Barrel I.D.	Stud Hole Center	Stud Hole Center To End of Palm	Palm Width	Barrel Length	Total Length	Thickness	Part No.
	'A'	'B'	'E'	'F'	'W'	'D'	'L'	'T'	
6	5.30	3.40	7.50	4.50	8.50	8.50	23.50	1.90	BCT-BM-6-5
6	5.30	3.40	7.50	5.50	9.50	9.00	25.00	1.90	BCT-BM-6-6
6	5.30	3.40	10.00	7.00	12.00	9.00	29.00	1.90	BCT-BM-6-8
6	5.30	3.40	12.00	8.00	15.00	11.00	34.00	1.90	BCT-BM-6-10
10	6.60	4.70	6.40	6.00	10.00	8.00	24.00	1.70	BCT-BM-10-6
10	6.60	4.70	8.00	7.00	13.00	9.50	30.00	1.20	BCT-BM-10-8
10	7.10	4.40	12.00	10.00	16.00	12.00	39.00	1.40	BCT-BM-10-10
10	7.10	4.40	12.00	10.00	18.00	10.00	39.00	1.20	BCT-BM-10-12
16	7.50	5.50	8.80	6.20	10.80	9.50	30.00	2.00	BCT-BM-16-6
16	7.50	5.50	8.80	6.20	13.50	9.50	30.00	1.60	BCT-BM-16-8
16	7.50	5.50	10.90	9.60	15.00	9.50	36.00	1.50	BCT-BM-16-10
16	8.00	5.60	12.00	10.00	18.00	11.50	42.00	1.30	BCT-BM-16-12
25	9.40	7.00	8.80	6.50	13.80	12.00	32.50	2.40	BCT-BM-25-6
25	9.40	7.00	8.00	7.00	13.80	12.00	32.50	2.40	BCT-BM-25-8
25	9.40	7.00	10.90	9.60	16.00	13.00	39.50	2.10	BCT-BM-25-10
25	9.40	7.00	10.50	10.00	18.00	12.00	38.00	1.70	BCT-BM-25-12
35	10.60	8.20	8.70	6.30	15.30	14.00	36.00	2.40	BCT-BM-35-6
35	10.60	8.20	7.60	7.30	15.30	14.00	35.00	2.40	BCT-BM-35-8
35	10.60	8.20	10.90	9.60	15.30	14.00	40.50	2.40	BCT-BM-35-10
35	10.60	8.20	10.00	10.40	18.00	14.00	40.50	2.40	BCT-BM-35-12
50	11.90	9.50	8.80	6.20	17.40	14.90	37.00	2.50	BCT-BM-50-6
50	11.90	9.50	8.00	7.00	17.40	14.90	37.00	2.50	BCT-BM-50-8
50	11.90	9.50	10.90	9.60	17.40	15.50	42.50	2.50	BCT-BM-50-10
50	11.90	9.50	10.70	9.80	17.40	15.50	42.50	2.50	BCT-BM-50-12
70	14.50	11.50	9.00	6.40	20.90	17.00	41.50	3.00	BCT-BM-70-6
70	14.50	11.50	8.60	6.40	20.90	17.00	40.50	3.00	BCT-BM-70-8
70	14.50	11.50	10.90	9.60	20.90	17.00	46.00	3.00	BCT-BM-70-10
70	14.50	11.50	10.70	9.80	20.90	17.00	46.00	3.00	BCT-BM-70-12
70	14.50	11.50	13.00	13.00	20.90	17.00	51.00	3.00	BCT-BM-70-16
95	16.70	13.50	10.00	9.20	24.40	19.00	49.50	3.20	BCT-BM-95-6
95	16.70	13.50	10.10	9.90	24.40	19.00	49.50	3.20	BCT-BM-95-8
95	16.70	13.50	10.90	9.60	24.40	19.00	49.50	3.20	BCT-BM-95-10
95	16.70	13.50	10.50	10.00	24.40	19.00	49.50	3.20	BCT-BM-95-12
95	16.70	13.50	13.00	13.00	24.40	19.00	58.00	3.20	BCT-BM-95-14
95	16.70	13.50	13.00	13.00	24.40	19.00	59.00	3.20	BCT-BM-95-16
120	19.00	15.00	14.40	9.60	27.30	20.00	55.50	4.00	BCT-BM-120-8

Dimensions are displayed in millimeters unless otherwise stated.

Disclaimer: The dimensions provided are for guidance only and BICC Components Ltd reserves the right to change these without prior notification. For any critical application please contact the sales office to check the latest data.

Copper Terminal - BM

Terminal Selection Chart									
Cond. Size	Barrel O.D.	Barrel I.D.	Stud Hole Center	Stud Hole Center To End of Palm	Palm Width	Barrel Length	Total Length	Thickness	Part No.
	'A'	'B'	'E'	'F'	'W'	'D'	'L'	'T'	
120	19.00	15.00	14.40	9.60	27.30	20.00	55.50	4.00	BCT-BM-120-10
120	19.00	15.00	14.00	10.00	27.30	20.00	55.50	4.00	BCT-BM-120-12
120	19.00	15.00	14.00	14.00	27.30	20.00	64.00	4.00	BCT-BM-120-16
150	21.00	16.50	14.00	10.00	30.20	23.00	61.00	4.50	BCT-BM-150-10
150	21.00	16.50	13.00	13.00	30.20	23.00	61.00	4.50	BCT-BM-150-12
150	21.00	16.50	13.00	13.00	30.20	23.00	61.00	4.50	BCT-BM-150-14
150	21.00	16.50	13.00	13.00	30.20	23.00	65.00	4.50	BCT-BM-150-16
185	23.00	18.50	14.80	9.20	33.30	29.00	66.50	4.36	BCT-BM-185-10
185	23.00	18.50	15.50	9.20	33.30	29.00	68.00	4.50	BCT-BM-185-12
185	23.00	18.50	15.50	9.20	33.30	29.00	67.00	4.50	BCT-BM-185-14
185	23.00	18.50	13.00	13.00	33.30	29.00	70.00	4.50	BCT-BM-185-16
240	26.00	21.00	18.00	17.00	37.70	39.00	88.00	5.00	BCT-BM-240-10
240	26.00	21.00	18.00	17.00	37.70	40.00	88.00	5.00	BCT-BM-240-12
240	26.00	21.00	18.00	17.00	37.70	40.00	88.00	5.00	BCT-BM-240-14
240	26.00	21.00	18.00	17.00	37.70	40.00	88.00	5.00	BCT-BM-240-16
240	26.00	21.00	18.00	17.00	37.70	40.00	88.00	5.00	BCT-BM-240-20
300	28.00	23.00	18.00	17.00	41.00	37.00	97.00	5.00	BCT-BM-300-10
300	28.00	23.00	18.00	17.00	41.00	37.00	97.00	5.00	BCT-BM-300-12
300	28.00	23.00	18.00	17.00	41.00	37.00	97.00	5.00	BCT-BM-300-14
300	28.00	23.00	18.00	17.00	41.00	37.00	97.00	5.00	BCT-BM-300-16
300	28.00	23.00	18.00	17.00	41.00	37.00	97.00	5.00	BCT-BM-300-20
400	32.00	27.00	22.00	22.00	47.30	38.00	108.00	5.00	BCT-BM-400-10
400	32.00	27.00	22.00	22.00	47.30	38.00	108.00	5.00	BCT-BM-400-12
400	32.00	27.00	22.00	22.00	47.30	38.00	108.00	5.00	BCT-BM-400-14
400	32.00	27.00	22.00	22.00	47.30	38.00	108.00	5.00	BCT-BM-400-16
400	32.00	27.00	22.00	22.00	47.30	38.00	108.00	5.00	BCT-BM-400-20
500	36.00	30.00	28.00	24.00	53.00	38.00	117.00	6.90	BCT-BM-500-10
500	36.00	30.00	28.00	24.00	53.00	38.00	117.00	6.90	BCT-BM-500-12
500	36.00	30.00	28.00	24.00	53.00	38.00	117.00	6.90	BCT-BM-500-14
500	36.00	30.00	28.00	24.00	53.00	38.00	117.00	6.90	BCT-BM-500-16
500	36.00	30.00	28.00	24.00	53.00	38.00	117.00	6.90	BCT-BM-500-20
630	45.00	34.00	23.00	25.10	63.30	48.00	129.00	10.00	BCT-BM-630-20
800	49.00	38.00	-	-	70.00	65.00	172.00	11.00	BCT-BM-800

Dimensions are displayed in millimeters unless otherwise stated.
 Disclaimer: The dimensions provided are for guidance only and BICC Components Ltd reserves the right to change these without prior notification. For any critical application please contact the sales office to check the latest data.

Terminal Selection Chart									
Cond. Size	Barrel O.D.	Barrel I.D.	Stud Hole Center	Stud Hole Center To End of Palm	Palm Width	Barrel Length	Total Length	Thickness	Part No.
	'A'	'B'	'E'	'F'	'W'	'D'	'L'	'T'	
6	5.30	3.40	7.50	4.50	8.50	8.50	23.50	1.90	BCT-SE-6-5
6	5.30	3.40	7.50	5.50	9.50	9.00	25.00	1.90	BCT-SE-6-6
6	5.30	3.40	10.00	7.00	12.00	9.00	29.00	1.90	BCT-SE-6-8
6	5.30	3.40	12.00	8.00	15.00	11.00	34.00	1.90	BCT-SE-6-10
10	6.60	4.70	6.40	6.00	10.00	8.00	24.50	1.70	BCT-SE-10-6
10	6.60	4.70	8.00	7.00	13.00	9.50	30.50	1.20	BCT-SE-10-8
10	7.10	4.40	12.00	10.00	16.00	12.00	39.50	1.40	BCT-SE-10-10
10	7.10	4.40	12.00	10.00	18.00	10.00	10.50	1.20	BCT-SE-10-12
16	7.50	5.50	8.80	6.20	10.80	9.50	30.00	2.00	BCT-SE-16-6
16	7.50	5.50	8.80	6.20	13.50	9.50	30.00	1.60	BCT-SE-16-8
16	7.50	5.50	10.90	9.60	15.00	9.50	36.00	1.50	BCT-SE-16-10
16	8.00	5.60	12.00	10.00	18.00	11.50	42.00	1.30	BCT-SE-16-12
25	9.40	7.00	8.80	6.50	13.80	12.00	32.50	2.40	BCT-SE-25-6
25	9.40	7.00	8.00	7.00	13.80	12.00	32.50	2.40	BCT-SE-25-8
25	9.40	7.00	10.90	9.60	16.00	13.00	39.50	2.10	BCT-SE-25-10
25	9.40	7.00	10.50	10.00	18.00	12.50	39.00	1.70	BCT-SE-25-12
35	10.60	8.20	8.70	6.30	15.30	15.00	36.50	2.40	BCT-SE-35-6
35	10.60	8.20	7.60	7.30	15.30	15.00	36.50	2.40	BCT-SE-35-8
35	10.60	8.20	10.90	9.60	15.30	15.00	41.00	2.40	BCT-SE-35-10
35	10.60	8.20	10.00	10.40	18.00	15.00	41.00	2.40	BCT-SE-35-12
50	11.90	9.50	8.80	6.20	17.40	14.90	37.50	2.50	BCT-SE-50-6
50	11.90	9.50	8.00	7.00	17.40	14.90	37.50	2.50	BCT-SE-50-8
50	11.90	9.50	10.90	9.60	17.40	15.50	42.50	2.50	BCT-SE-50-10
50	11.90	9.50	10.70	9.80	17.40	15.50	42.50	2.50	BCT-SE-50-12
70	14.50	11.50	9.00	6.40	20.90	17.00	41.50	3.00	BCT-SE-70-6
70	14.50	11.50	8.60	6.40	20.90	17.00	40.50	3.00	BCT-SE-70-8
70	14.50	11.50	10.90	9.60	20.90	17.50	47.00	3.00	BCT-SE-70-10
70	14.50	11.50	10.70	9.80	20.90	17.50	46.50	3.00	BCT-SE-70-12
70	14.50	11.50	13.00	13.00	20.90	17.00	51.00	3.00	BCT-SE-70-16
95	16.70	13.50	10.00	9.20	24.40	19.00	50.00	3.20	BCT-SE-95-6
95	16.70	13.50	10.10	9.90	24.40	19.00	50.00	3.20	BCT-SE-95-8
95	16.70	13.50	10.90	9.60	24.40	19.00	50.00	3.20	BCT-SE-95-10
95	16.70	13.50	10.50	10.00	24.40	19.00	50.00	3.20	BCT-SE-95-12
95	16.70	13.50	13.00	13.00	24.40	19.00	58.00	3.20	BCT-SE-95-14
95	16.70	13.50	13.00	13.00	24.40	19.00	59.00	3.20	BCT-SE-95-16
120	19.00	15.00	14.40	9.60	27.30	20.00	55.50	4.00	BCT-SE-120-8

Dimensions are displayed in millimeters unless otherwise stated.

Disclaimer: The dimensions provided are for guidance only and BICC Components Ltd reserves the right to change these without prior notification. For any critical application please contact the sales office to check the latest data.

Terminal Selection Chart									
Cond. Size	Barrel O.D.	Barrel I.D.	Stud Hole Center	Stud Hole Center To End of Palm	Palm Width	Barrel Length	Total Length	Thickness	Part No.
	'A'	'B'	'E'	'F'	'W'	'D'	'L'	'T'	
120	19.00	15.00	14.40	9.60	27.30	20.00	55.50	4.00	BCT-SE-120-10
120	19.00	15.00	14.00	10.00	27.30	20.00	56.50	4.00	BCT-SE-120-12
120	19.00	15.00	14.00	14.00	27.30	20.00	64.00	4.00	BCT-SE-120-16
150	21.00	16.50	14.00	10.00	30.20	23.00	61.00	4.50	BCT-SE-150-10
150	21.00	16.50	13.00	13.00	30.20	23.00	61.00	4.50	BCT-SE-150-12
150	21.00	16.50	13.00	13.00	30.20	23.00	61.00	4.50	BCT-SE-150-14
150	21.00	16.50	13.00	13.00	30.20	23.00	65.00	4.50	BCT-SE-150-16
185	23.00	18.50	14.80	9.20	33.30	29.00	66.50	4.36	BCT-SE-185-10
185	23.00	18.50	15.50	9.20	33.30	29.00	68.00	4.50	BCT-SE-185-12
185	23.00	18.50	15.50	9.20	33.30	29.00	67.00	4.50	BCT-SE-185-14
185	23.00	18.50	13.00	13.00	33.30	29.00	70.00	4.50	BCT-SE-185-16
240	26.00	21.00	18.00	17.00	37.70	39.00	88.00	5.00	BCT-SE-240-10
240	26.00	21.00	18.00	17.00	37.70	40.00	88.50	5.00	BCT-SE-240-12
240	26.00	21.00	18.00	17.00	37.70	40.00	88.00	5.00	BCT-SE-240-14
240	26.00	21.00	18.00	17.00	37.70	40.00	88.00	5.00	BCT-SE-240-16
240	26.00	21.00	18.00	17.00	37.70	40.00	88.00	5.00	BCT-SE-240-20
300	28.00	23.00	18.00	17.00	41.00	37.00	97.00	5.00	BCT-SE-300-10
300	28.00	23.00	18.00	17.00	41.00	37.00	97.00	5.00	BCT-SE-300-12
300	28.00	23.00	18.00	17.00	41.00	37.00	97.00	5.00	BCT-SE-300-14
300	28.00	23.00	18.00	17.00	41.00	37.00	97.00	5.00	BCT-SE-300-16
300	28.00	23.00	18.00	17.00	41.00	37.00	97.00	5.00	BCT-SE-300-20
400	32.00	27.00	22.00	22.00	47.30	38.00	108.00	5.00	BCT-SE-400-10
400	32.00	27.00	22.00	22.00	47.30	38.00	108.00	5.00	BCT-SE-400-12
400	32.00	27.00	22.00	22.00	47.30	38.00	108.00	5.00	BCT-SE-400-14
400	32.00	27.00	22.00	22.00	47.30	38.00	108.50	5.00	BCT-SE-400-16
400	32.00	27.00	22.00	22.00	47.30	38.00	108.00	5.00	BCT-SE-400-20
500	36.00	30.00	28.00	24.00	53.00	38.00	117.00	6.90	BCT-SE-500-10
500	36.00	30.00	28.00	24.00	53.00	38.00	117.00	6.90	BCT-SE-500-12
500	36.00	30.00	28.00	24.00	53.00	38.00	117.00	6.90	BCT-SE-500-14
500	36.00	30.00	28.00	24.00	53.00	38.00	117.50	6.90	BCT-SE-500-16
500	36.00	30.00	28.00	24.00	53.00	38.00	117.00	6.90	BCT-SE-500-20
630	45.00	34.00	23.00	25.10	63.30	48.00	130.50	10.00	BCT-SE-630-20
800	49.00	38.00	-	-	70.00	65.00	172.00	11.00	BCT-SE-800

Dimensions are displayed in millimeters unless otherwise stated.

Disclaimer: The dimensions provided are for guidance only and BICC Components Ltd reserves the right to change these without prior notification. For any critical application please contact the sales office to check the latest data.

Tele Cable Cleat (Single Way)



Tele Cable Cleat (Single Way)

Single fixing cable cleats to fix power cables in indoor and outdoor applications.

- > Designed to assure cable retention and support, without causing damage or deformation to the cable.
- > Excellent resistance to ultraviolet and weather.
- > Single piece design
- > The curvature of the cleats mounting surface is appropriate for cable diameters 10mm to 51mm.

Technical Specification

Standard

Cable Type

Material

Continuous Operating Temperature

BS EN 50368

Designed for all types of cables

Low Density Polyethylene (LDPE)

-40°C to +60°C

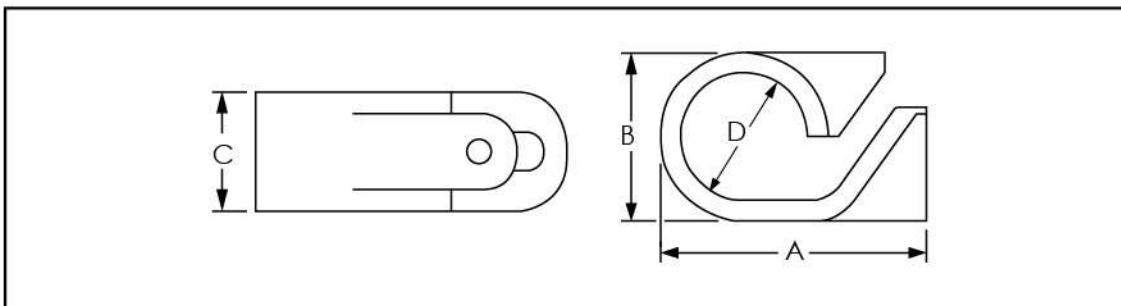
Cable Cleat Selection Table

Cable Diameter 'D'		Cleat Details				Order Reference
		B		A	C	
Min	Max	Min	Max			
10.5	14.5	15	18	32	12	TCC01
12.2	16.7	17	22	36	14	TCC02
14.6	19.8	21	26	43	16	TCC03
17.7	24.0	25	31	51	18	TCC04
21.7	28.5	30	37	57	20	TCC05
26.2	34.2	35	43	65	22	TCC06
31.9	41.6	42	52	78	25	TCC07
39.3	51.1	50	62	91	26	TCC08

Dimensions are displayed in millimeters unless otherwise stated.

Photographs are not a true representation of the product above.

Disclaimer: The dimensions provided are for guidance only and BICC Components Ltd reserves the right to change these without prior notification. For any critical application please contact the sales office to check the latest data.



LSOH Tele Cable Cleat



LSOH Tele Cable Cleat (Single Way)

Single fixing LSOH cable cleats to fix power cables in indoor and outdoor applications.

- > Designed to assure cable retention and support, without causing damage or deformation to the cable.
- > Excellent resistance to ultraviolet and weather.
- > Single piece design.
- > The curvature of the cleat mounting surface is appropriate for cable diameters 10mm to 51mm.

Technical Specification

Standard

Cable Type

Material

Continuous Operating Temperature

BS EN 50368

Designed for all types of cables

Low Smoke Zero Halogen Polymer

-40°C to +60°C

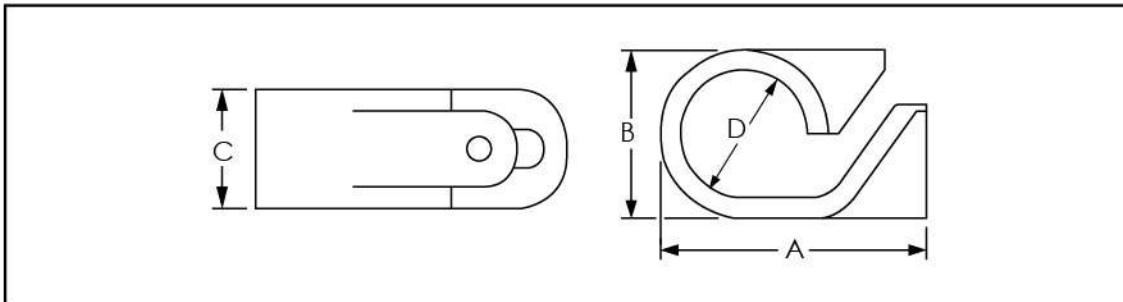
Cable Cleat Selection Table

Cable Diameter 'D'		Cleat Details				Order Reference
		B		A	C	
Min	Max	Min	Max			
10.5	14.5	15	18	32	12	TCCLSF01
12.2	16.7	17	22	36	14	TCCLSF02
14.6	19.8	21	26	43	16	TCCLSF03
17.7	24.0	25	31	51	18	TCCLSF04
21.7	28.5	30	37	57	20	TCCLSF05
26.2	34.2	35	43	65	22	TCCLSF06
31.9	41.6	42	52	78	25	TCCLSF07
39.3	51.1	50	62	91	26	TCCLSF08

Dimensions are displayed in millimeters unless otherwise stated.

Photographs are not a true representation of the product above.

Disclaimer: The dimensions provided are for guidance only and BICC Components Ltd reserves the right to change these without prior notification. For any critical application please contact the sales office to check the latest data.



Two Bolt Cable Cleat



Two Bolt Cable Cleat

Two bolt cable cleat, for use with all types of LV cables.

- > Designed to assure cable retention and support, without causing damage or deformation to the cable.
- > Excellent resistance to ultraviolet and weather.
- > Two bolt, two piece design.
- > Appropriate for cable diameters ranging from 50mm to 94mm.

Technical Specification

Standard

Cable Type

Material

Continuous Operating Temperature

BS EN 50368

Designed for all types of cables

High Density Polypropylene

-40°C to +60°C

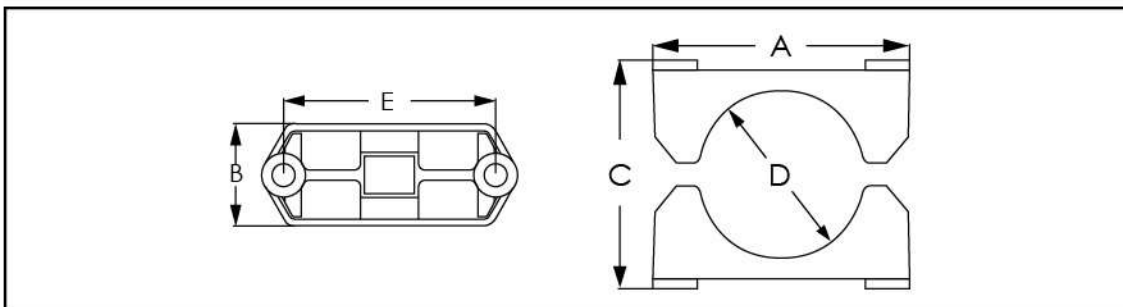
Cable Cleat Selection Table

Cable Diameter 'D'		Cleat Details				Order Reference
		C	A	B	E	
Min	Max					
50	58	89	102	45	80	TB01
56	64	93	102	45	80	TB02
62	70	98	114	45	92	TB03
68	76	104	114	50	92	TB04
74	82	110	126	50	104	TB05
80	88	118	126	50	104	TB06
86	94	121	136	60	114	TB07

Dimensions are displayed in millimeters unless otherwise stated.

Photographs are not a true representation of the product above.

Disclaimer: The dimensions provided are for guidance only and BICC Components Ltd reserves the right to change these without prior notification. For any critical application please contact the sales office to check the latest data.



LSOH Two Bolt Cable Cleat



LSOH Two Bolt Cable Cleat

Two bolt LSOH cable cleat, for use with LV LSOH cables.

- > Designed to assure cable retention and support, without causing damage or deformation to the cable.
- > Excellent resistance to ultraviolet and weather.
- > Two bolt, two piece design.
- > Appropriate for cable diameters ranging from 50mm to 94mm.

Technical Specification

Standard

Cable Type

Material

Continuous Operating Temperature

BS EN 50368

Designed for all types of LSOH cables

Low Smoke Zero Halogen Polymer

-40°C to +60°C

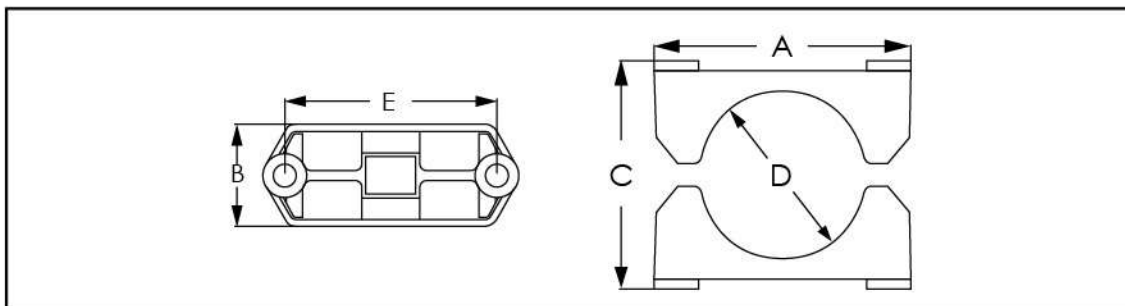
Cable Cleat Selection Table

Cable Diameter 'D'		Cleat Details				Order Reference
		C	A	B	E	
Min	Max					
50	58	89	102	45	80	TBLSF01
56	64	93	102	45	80	TBLSF02
62	70	98	114	45	92	TBLSF03
68	76	104	114	50	92	TBLSF04
74	82	110	126	50	104	TBLSF05
80	88	118	126	50	104	TBLSF06
86	94	121	136	60	114	TBLSF07

Dimensions are displayed in millimeters unless otherwise stated.

Photographs are not a true representation of the product above.

Disclaimer: The dimensions provided are for guidance only and BICC Components Ltd reserves the right to change these without prior notification. For any critical application please contact the sales office to check the latest data.



Aluminium Cable Cleat Trefoil Type ATFC (SP)



Aluminium Cable Cleat Trefoil Type ATFC (SP)

- > Suitable for use with LV, MV and HV cables.
- > Few range accommodates wide range of cable dia.
- > Operating temperature -60°C to +100°C

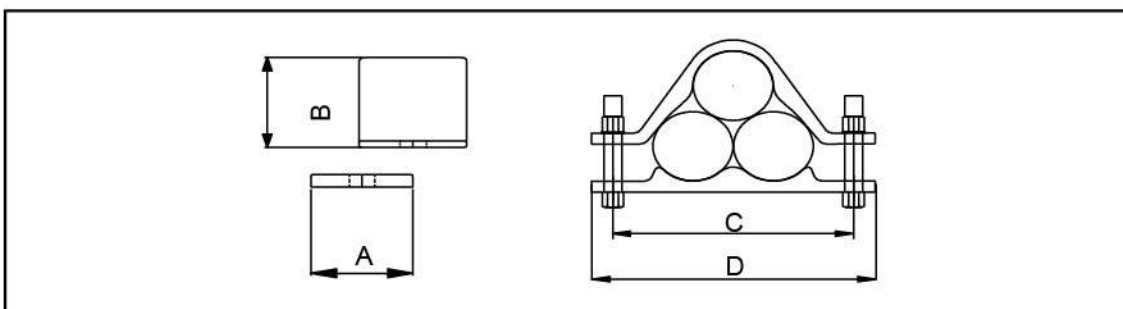
Cable Gland Selection Table

Cable Diameter	Cleat Details				Order Reference
	A	B	C	D	
15-30	30	45	108	80	ATFCSP15-30
30-45	30	66	151	120	ATFCSP30-45
45-60	40	85	184	151	ATFCSP45-60
60-75	40	114	226	193	ATFCSP60-75
75-90	40	142	267	235	ATFCSP75-90
90-107	50	171	319	282	ATFCSP90-107
107-129	57	203	390	352	ATFCSP107-129
129-155	57	244	455	397	ATFCSP129-155

Dimensions are displayed in millimeters unless otherwise stated.

Photographs are not a true representation of the product above.

Disclaimer: The dimensions provided are for guidance only and BICC Components Ltd reserves the right to change these without prior notification. For any critical application please contact the sales office to check the latest data.





Aluminium Cable Cleat (Two Bolt)

Suitable for use with cables from diameter 51mm to 114mm

- > Two piece two fixing design
- > Can be double stacked on common fixing
- > Operating temperature – 60° C to + 100° C
- > Two bolt fixing type (ATC)
- > Plain finish - for indoor dry normal industrial use or outdoor unpolluted areas. Epoxy coated for more hostile conditions.

Cable Cleat Selection Table

Cable Diameter Range	Cleat Details				Fixing Hole	Order Reference
	W	H	D	P		
51-57	96	68	59	76	M10	ATC-51-57
57-64	6	75	49	76	M10	ATC-57-64
64-70	96	84	64	118	M10	ATC-64-70
70-76	134	90	64	114	M10	ATC-70-76
76-83	142	96	64	114	M12	ATC-76-83
83-89	142	102	64	114	M12	ATC-83-89
89-95	154	114	64	114	M12	ATC-89-95
95-101	154	120	76	126	M12	ATC-95-101
101-108	169	134	76	140	M12	ATC-101-108
108-114	169	140	76	149	M12	ATC-108-114

Dimensions are displayed in millimeters unless otherwise stated.

Photographs are not a true representation of the product above.

Disclaimer: The dimensions provided are for guidance only and BICC Components Ltd reserves the right to change these without prior notification. For any critical application please contact the sales office to check the latest data.

